



## Data sheet · Active Pirani transmitter TPR 280

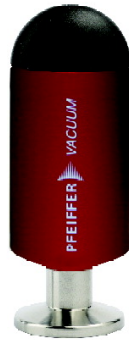
Active Pirani transmitter TPR 280, 80 °C, DN 16 ISO-KF

Flange size: DN 16 ISO-KF

## Active Pirani transmitter TPR 280, 80 °C, DN 16 ISO-KF

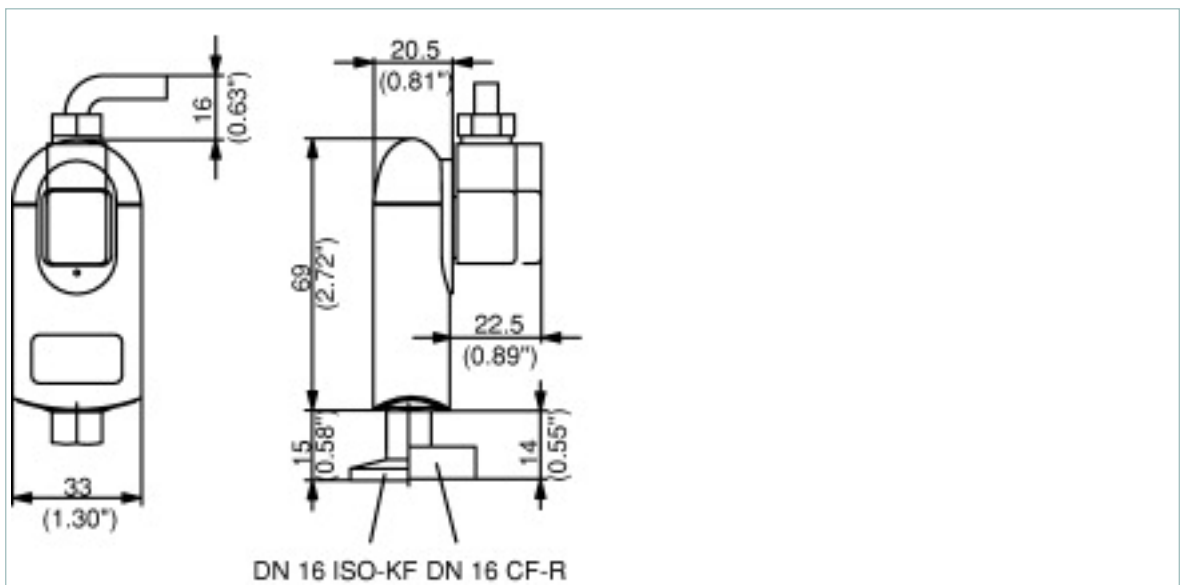
### Active Pirani transmitter TPR 280

[Similar Image](#)



- Flange size: DN 16 ISO-KF
- Measurement range from  $5 \cdot 10^{-4}$  to 1000 hPa
- Compact and rugged
- Fast, stable measurement
- For general vacuum applications
- Maximum pressure refers to inert gases

### Dimensions



## Active Pirani transmitter TPR 280, 80 °C, DN 16 ISO-KF

Technical Data	Active Pirani transmitter TPR 280, 80 °C, DN 16 ISO-KF
Accuracy: $10^{-3}$ - $10^2$ hPa	± 15 %
Bakeout temperature	80 °C
Feature	Stainless steel, metal sealed
Feedthrough	Glass
Filament	Tungsten
Flange	Stainless steel
Flange (in)	DN 16 ISO-KF
Measurement range max.	1000 hPa
Measurement range min.	$5 \cdot 10^{-4}$ hPa
Output signal: Minimum load	10 k
Output signal: Pressure range	2.2 - 8.5 V
Output signal: Sensor error below	0.5 V
Pressure max.	10 bar
Protection category	IP 40
Repeatability: $10^{-3}$ - $10^2$ hPa	± 2 %
Resolution	1 % of reading
Response time	80 ms
Seal	Metal
Sensor cable length max.	200 m
Supply: Power consumption max.	1 W
Supply: Voltage	14-30 V DC
Temperature: Operating	5-60 °C
Temperature: Storage	-20-+65 °C
Volume	1.5 cm <sup>3</sup>
Weight	80 g

<b>Order number</b>	<b>PTR26950</b>
---------------------	-----------------

### ActiveLine sensor cables

Sensor cable, 3 m	<b>PT448250-T</b>
-------------------	-------------------

**Vacuum solutions  
from a single source**

Pfeiffer Vacuum stands for innovative and custom vacuum solutions worldwide, technological perfection, competent advice and reliable service.

**Complete range  
of products**

From a single component to complex systems:  
We are the only supplier of vacuum technology  
that provides a complete product portfolio.

**Competence in  
theory and practice**

Benefit from our know-how and our portfolio of training  
opportunities! We support you with your plant layout  
and provide first-class on-site service worldwide.

**Are you looking for a  
perfect vacuum solution?  
Please contact us:**

**Pfeiffer Vacuum GmbH**  
Headquarters · Germany  
T +49 6441 802-0  
info@pfeiffer-vacuum.de  
[www.pfeiffer-vacuum.com](http://www.pfeiffer-vacuum.com)